



A multi function control module designed for control of any DALI, DSI or 1-10v controlled device.

The eDIN Universal Ballast Control Module has been designed to simplify the implementation and operation of DALI fittings with a built-in DALI power supply and onboard DALI setup. The additional configurable terminals make the unit highly flexible and very cost effective for small standalone systems or as part of larger, fully integrated, lighting management and control system.

▶ PRODUCT INFORMATION

- ▶ Compact 6M wide DIN rail mounting module
- ▶ DALI output with built-in DALI power supply (no additional supply required)
- ▶ DALI Broadcast, group and channel capabilities
- ▶ Four separate configurable ports for 1-10v DSI output or contact inputs
- ▶ M-BUS enabled
- ▶ Can be installed as part of a 17th Edition compliant installation
- ▶ Complies with EC EMC and Low Voltage Directives
- ▶ CE compliant
- ▶ ISO9001 certified design and manufacturing facility

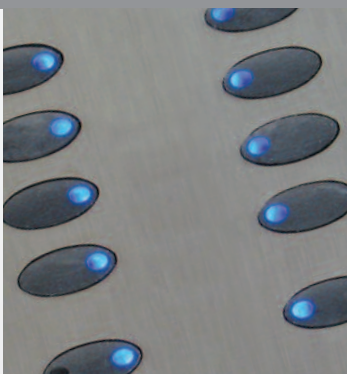


The Digital Addressable Lighting Interface has been introduced to standardise and simplify the specification, installation and control of lighting loads. One of the advantages of DALI is the ability to connect multiple light fittings with a single power and data connection yet still have individual control.

This usually requires some form of specialist programming tools to locate and identify the individual DALI devices. eDIN simplifies this by using a simple onboard menu to locate and identify fittings which speeds up the programming process and makes DALI devices practical to use on any size of project.

▶ M-BUS CONNECTIVITY

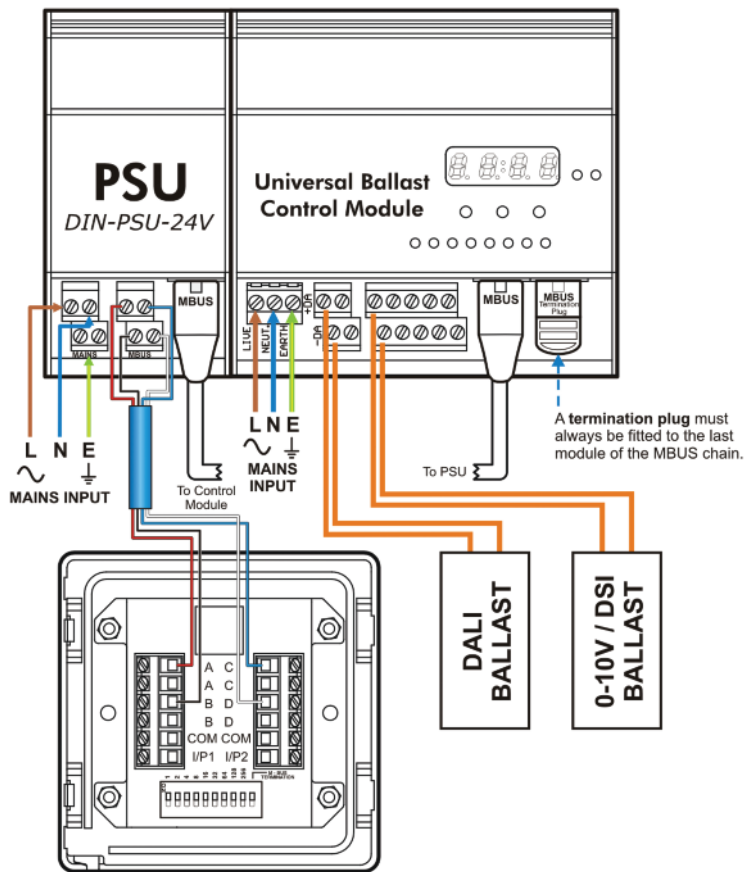
All eDIN Modules are M-BUS enabled and can be used with other Mode Lighting systems. The universal ballast control module can be used to provide DALI or additional 1-10V / DSI outputs or contact inputs to an Evolution System allowing increased flexibility when specifying larger control systems.



CONTROLLING THE FUTURE OF LIGHTING

Mode Lighting (UK) Ltd.
The Maltings, 63 High Street,
Ware, Hertfordshire, SG12 9AD,
United Kingdom.
Tel: +44 (0) 1920 462121
Fax: +44 (0) 1920 466881
email: sales@modelighting.com
www.modelighting.com

MODULE WIRING



INSTALLATION NOTES

eDIN Modules must be installed within a suitable surface mount enclosure with integral DIN rail. Installation must be carried out by a qualified electrician in accordance with the National Wiring Regulations and other applicable regulations. Compliance to EC EMC and Low Voltage Directives may be invalidated if not used or installed according to the published specification.

eDIN Modules must be earthed.

Modules contain no user servicable parts and should not be opened.

Compatible Load Types

DALI compatible ballasts and drivers
1-10V controlled devices
DSI controlled devices

Please see the eDIN installation manual for further details and examples of standalone operation or visit www.edincontrols.com

MODEL	Universal Ballast Control Module
Part code	DIN-UBC-01-05
DIN Module Size	6M
Dimensions	104mm Wide x 100mm High x 64mm Deep
Weight	0.35kg
Input Voltage	24V DC Supplied through M-BUS Connection
Input Connections	M-Bus Connection
Control Input	Mode M-BUS
M-BUS Connection	2 x RJ-45 (in and out)
M-BUS Current Consumption	50 mA
Control Inputs	0/1-10V input or contact-closure input (configurable as normally open or normally closed)
Control Outputs	0/1-10V output or DSI output (configurable)
Channel loading (input)	2mA per channel maximum
Channel loading (output)	100mA per channel maximum
Ambient Temperature	0 - 40°C
Standards (CE, EMC)	EN55015, EN61547, EN61000-3-2, EN61000-3-3 and EN60669-2-1

COMPANY BACKGROUND

Mode Lighting work closely with Lighting Designers, M & E Consultants, Architects, Quantity Surveyors, Developers, Electrical Contractors and AV Specialist installers to ensure the right solution is provided for each individual project. Products designed and manufactured by Mode Lighting include control systems, electronic transformers and LED production facilities. Nearly 40 years of experience in these areas has led to the creation of a worldwide network of satellite offices, distributors and dealers to provide local sales and technical support to clients on Mode products.

DS213 - V1.2