



CONTROLLING THE FUTURE OF LIGHTING

With web based setup and remote network operation the eDIN Network Processor Module expands the capabilities of the eDIN range enabling versatile lighting control in multiple rooms which can be further extended using the built-in RS232 and Ethernet connections to include full integration with modern multi-media systems

▶ PRODUCT INFORMATION

- ▶ Simple web based programming & operation
- ▶ Remote control through Ethernet
- ▶ Integration by RS232 or TCP/IP (Telnet)
- ▶ M-BUS enabled
- ▶ Astronomical Time Clock
- ▶ Only one NPU required per eDIN network
- ▶ Scene Setting, Toggle & Impulse functionality
- ▶ Compact 6M width DIN Rail Mounting Module
- ▶ Complies with EC EMC and Low Voltage Directives
- ▶ CE compliant
- ▶ ISO9001 certified design and manufacturing facility
- ▶ Future ready for energy monitoring and reporting

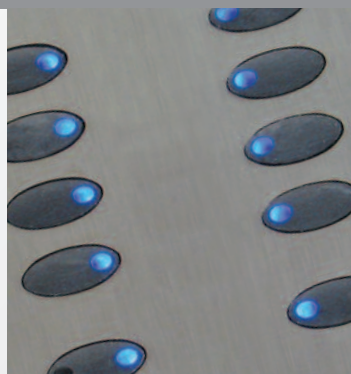


The Network Processor Module allows the setup and operation of integrated lighting controls, for apartments, home cinemas, boardrooms, auditoriums and multi-room applications. Onboard RS232 and Ethernet connections provide interfacing to third party devices to allow control from multi media and building management systems. Commands can be configured by the programmer with built in command sets available for a number of different devices.

An onboard astronomical time clock allows for easy setup of automated events for security and energy saving applications. System configuration is carried out using the Ethernet port, either by direct connection into the Network Processor Module or through a Local Area Network. All features of an eDIN system can be configured through the web browser with different levels of access available for programming support engineers and users.

▶ M-BUS CONNECTIVITY

The eDIN Control System from Mode Lighting allows individual modules to be selected to create the desired lighting system. From simple standalone systems for individual rooms to a fully connected and integrated multi-room system, eDIN modules can adapt to suit the project requirements.



CONTROLLING THE FUTURE OF LIGHTING

Mode Lighting (UK) Ltd.
The Maltings, 63 High Street,
Ware, Hertfordshire, SG12 9AD,
United Kingdom.

Tel: +44 (0) 1920 462121
Fax: +44 (0) 1920 466881
email: sales@modelighting.com
www.modelighting.com

MODULE WIRING



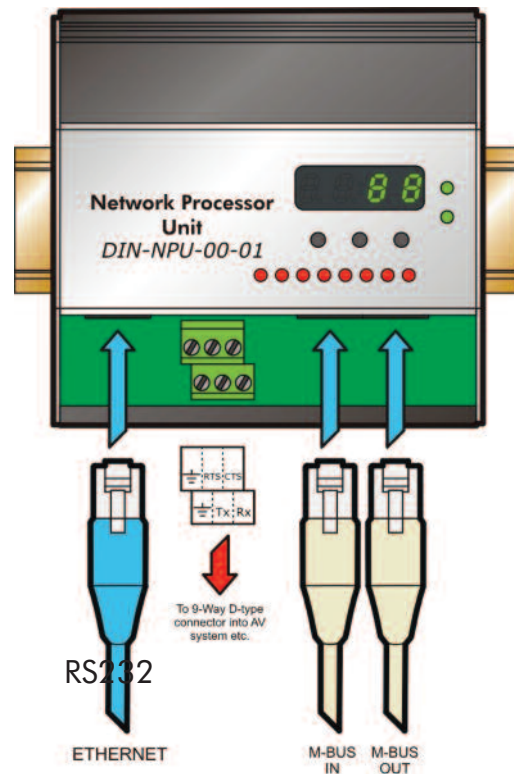
Website
Lighting Manager



Hardware Monitor



Configuration



INSTALLATION NOTES

eDIN Modules must be installed within a suitable surface mount enclosure with integral DIN rail. Installation must be carried out by a qualified electrician in accordance with the National Wiring Regulations and other applicable regulations. Compliance to EC EMC and Low Voltage Directives may be invalidated if not used or installed according to the published specification.

eDIN Modules must be earthed.

Modules contain no user servicable parts and should not be opened.

Please see the eDIN installation manual for further details and examples of standalone operation or visit www.edincontrols.com

MODEL	Network Processor Unit
Part code	DIN-NPU-00-01
DIN Module Size	6M
Dimensions	104mm Wide x 100mm High x 64mm Deep
Weight	0.35Kg
Input Voltage	24V DC - Supplied through M-BUS Connection
Input Connections	M-BUS Connection
Control Input (1)	Mode M-BUS
M-BUS Connection	2 x RJ-45 (in and out)
M-BUS Current Consumption	250mA
Control Input (2)	RS232 (Bi directional) with RIS/LTS
RS232 Connection	1 x 6-way rising-cage screw terminals. Maximum wire size 1.5mm ²
Control Input (3)	Ethernet TCP/IP (10/100M-Bits)
Ethernet Connection	1 x RJ-45
Ambient Temperature	0 - 40°C
Standards (EC EMC and Low Voltage Directives)	EN55015, EN61547, EN61000-3-2, EN61000-3-3 and EN60669-2-1

COMPANY BACKGROUND

Mode Lighting work closely with Lighting Designers, M & E Consultants, Architects, Quantity Surveyors, Developers, Electrical Contractors and specialist AV installers to ensure the right solution is provided for every individual project. Products designed and manufactured by Mode Lighting include control systems, electronic transformers and LED assemblies. Nearly 40 years of experience in these areas has lead to the creation of a worldwide network of satellite offices, distributors and dealers to provide local sales and technical support to clients on Mode products.

DS000 - V1