



CONTROLLING THE FUTURE OF LIGHTING

An eight channel adaptable input/output which can be configured to accept 0-10V, 1-10V, DSI or switched contact as inputs or provide SELV 0-10V, 1-10V, DSI or DMX outputs providing a high level of flexibility and connectivity in a compact housing.

▶ PRODUCT INFORMATION

- ▶ 8 individually configurable inputs or outputs
- ▶ Compact 6M width DIN Rail Mounting Module
- ▶ 0-10V or 1-10V input from sensors and controls
- ▶ M-BUS enabled
- ▶ Contact closure inputs for sensor and switch inputs e.g. PIRs
- ▶ 0-10V or 1-10V output for SELV equipment control or integration.
- ▶ DSI output for SELV equipment control
- ▶ DMX output for SELV equipment control
- ▶ Complies with EC EMC and Low Voltage Directives
- ▶ CE compliant
- ▶ ISO9001 certified design and manufacturing facility

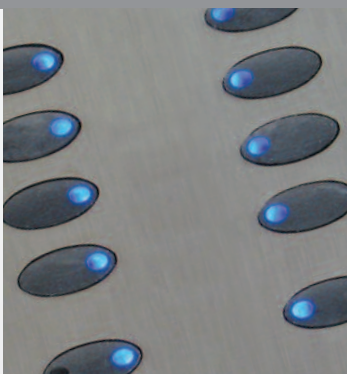


In standalone mode the eDIN configurable interface can provide switch input control to operate eDIN dimmer modules in Impulse (on/off/dim) format. Alternatively, it can operate either as a protocol convertor giving 0-10V or 1-10V to DSI conversion in either direction or as a 0-10V or 1-10V or DSI output module with switch inputs for Impulse style control for SELV equipment.

The DMX facility provides simple control of RGB colour changing devices as an integrated part of an eDIN system. When connected to a Network Processor Module each channel can be individually configured to provide input control of eDIN functions or output signals for control of SELV equipment or other devices. The on-board menu system provides simple setup of channel modes for standalone operation and channel test facilities.

▶ M-BUS CONNECTIVITY

All eDIN Modules are M-BUS enabled and can be used with other Mode Lighting systems. The input/output module can be used to provide additional 1-10V and DSI outputs or analogue or digital inputs or outputs to an Evolution System allowing increased flexibility when specifying larger control systems.

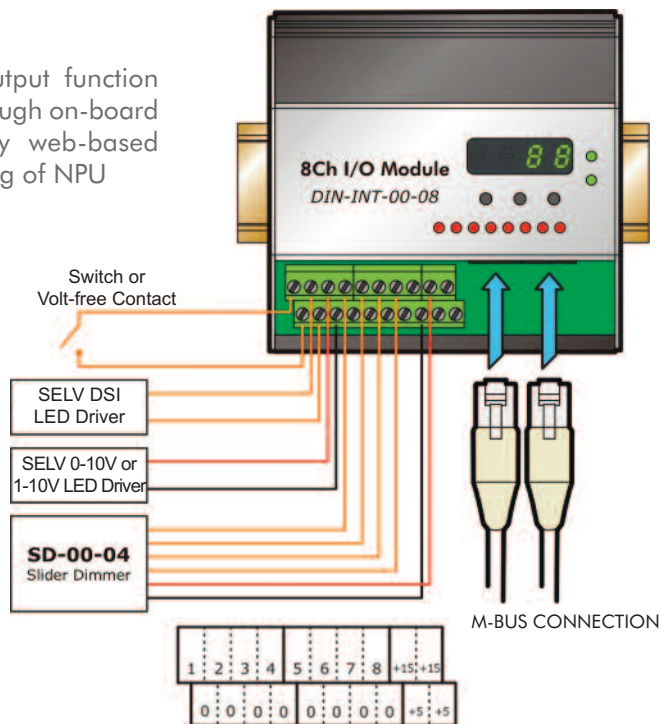


CONTROLLING THE FUTURE OF LIGHTING

Mode Lighting (UK) Ltd.
 The Maltings, 63 High Street,
 Ware, Hertfordshire, SG12 9AD,
 United Kingdom.
 Tel: +44 (0) 1920 462121
 Fax: +44 (0) 1920 466881
 email: sales@modelighting.com
www.modelighting.com

MODULE WIRING

Input or Output function selected through on-board menu or by web-based programming of NPU



Control types supported:

Protocol	Input	Output
0-10V	✓	✓
1-10V	✓	✓
DSI	✓	✓
DMX	*	✓
Volt-Free Contact	✓	#
Infrared	✓	*

* Consult Mode for further information
Using eDIN Relay Module

INSTALLATION NOTES

eDIN Modules must be installed within a suitable surface mount enclosure with integral DIN rail. Installation must be carried out by a qualified electrician in accordance with the National Wiring Regulations and other applicable regulations. Compliance to EC EMC and Low Voltage Directives may be invalidated if not used or installed according to the published specification.

eDIN Modules must be earthed.

Modules contain no user servicable parts and should not be opened.

Please see the eDIN installation manual for further details and examples of standalone operation or visit www.edincontrols.com

MODEL	Channel Input / Output Interface
Part code	DIN-INT-00-08
DIN Module Size	6M
Dimensions	104mm Wide x 100mm High x 64mm Deep
Weight	0.35kg
Input Voltage	24V DC Supplied through M-BUS Connection
Input Connections	M-Bus Connection
Control Input	Mode M-BUS
M-BUS Connection	2 x RJ-45 (in and out)
M-BUS Current Consumption	Input Mode: 50 mA / Output Mode: Up to 850mA
Control Inputs	0/1-10V input or contact-closure input (configurable as closed / released / held / released)
Control Outputs	0/1-10V output or DSI output (configurable)
DMX Output	36 Channels, 12 x 3 channel (RGB Groups)
Channel loading (input)	2mA per channel maximum
Channel loading (output)	250mA per channel maximum
Ambient Temperature	0 - 40°C
Standards (CE, EMC)	EN55015, EN61547, EN61000-3-2, EN61000-3-3 and EN60669-2-1

COMPANY BACKGROUND

Mode Lighting work closely with Lighting Designers, M & E Consultants, Architects, Quantity Surveyors, Developers, Electrical Contractors and specialist AV installers to ensure the right solution is provided for every individual project. Products designed and manufactured by Mode Lighting include control systems, electronic transformers and LED assemblies. Nearly 40 years of experience in these areas has lead to the creation of a worldwide network of satellite offices, distributors and dealers to provide local sales and technical support to clients on Mode products.

DS000 - V1